

LIFETIME *Limited* WARRANTY

Jandon warrants this product to be leak and drip-free during normal household use for as long as it is owned by the original consumer purchaser.

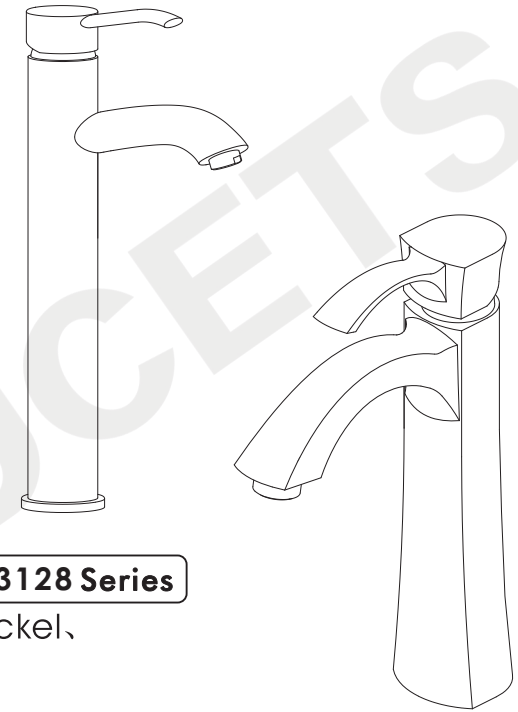
Should a malfunction occur within the time covered by this warranty, replacement parts may be obtained from the place of purchase or from Jandon's Customer Service Department at toll free 877-526-3668.

Jandon will, at Jandon's discretion, provide replacement parts for installation by consumer for any parts that prove defective under normal usage and service with new, like or equivalent Jandon parts.

This warranty shall not apply to goods which have been subject to accidents, negligence, improper installation, or misuse.

Our responsibility under this warranty is limited only to replacement of parts and no other costs.

This warranty covers the original consumer purchaser only and does not include business, commercial or industrial use of this product.



Model : 3122, 3124, 3128 Series

Chrome, Brushed Nickel,
Oil Rubbed Bronze

 **JANDON[®] FAUCETS**
Useful Everyday

 **JANDON[®] FAUCETS**
Useful Everyday

© All rights reserved. 2010-2011

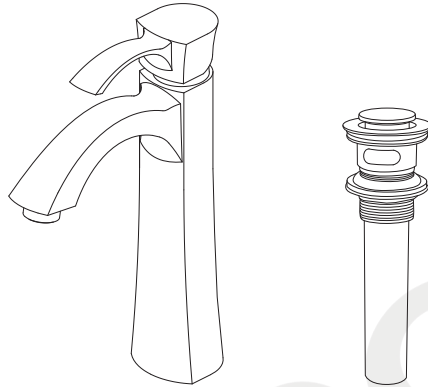
Single Handle Lavatory Faucet With Pop-up

Thank you for purchasing this **JANDON**[®] Useful Everyday product. By following the care instructions in this booklet you will enjoy this quality item for many years to come.

JANDON[®] Faucets are crafted with the skill and quality to last for lifetime. You can appreciate the fine craftsmanship in your own home with Brookfield fixtures in contemporary designs, meticulously engineered with water and energy-saving features.

Care Instructions

To clean, wipe gently with a soft, damp cloth, then wipe dry. **JANDON**[®] Useful Everyday finished are very durable. However to ensure long lasting luster, harsh abrasives or polished should be avoided.

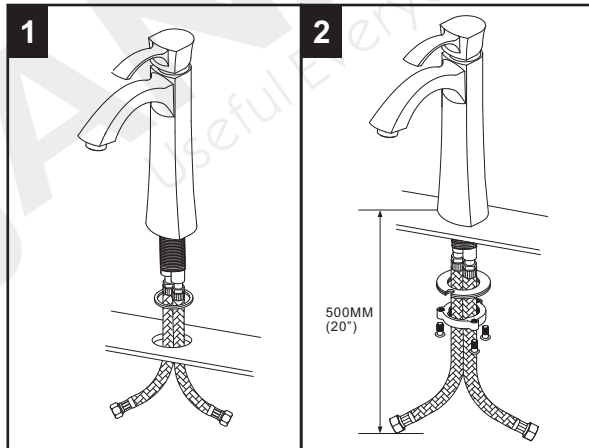


INSTALLATION INSTRUCTIONS

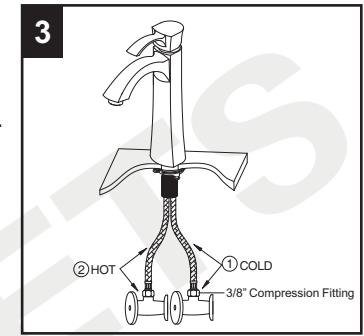
To Install Single Handle Lavatory Faucet

Faucet installation

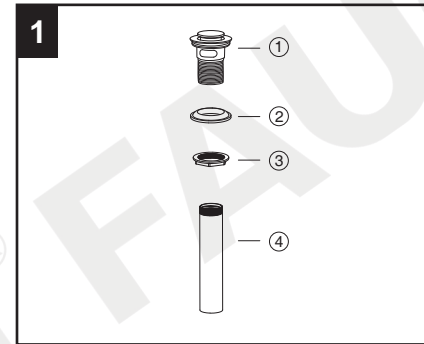
- 1 Pass the shank and the flexible hoses down through the O-ring, and insert into the sink hole.
- 2 Assemble the anchor kit, nut, and screw in order. Fix the faucet's position and direction. Next assemble the screw and tighten with the appropriate tool.



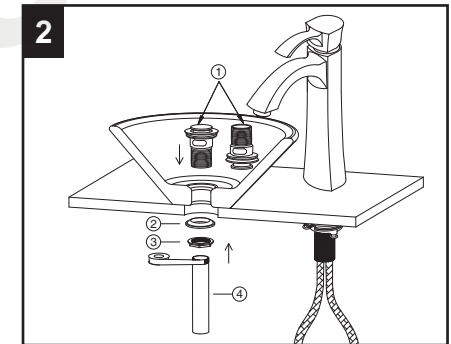
- 3 Connect blue marking hose ① to cold water supply, and red marking hose ② to hot water supply. Use wrenches to tighten connections. **Do not overtighten.** Note: angle valves not included.



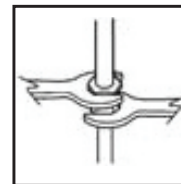
Pop-up Installation Instructions



Unscrew grid drain body ① and tailpiece ④. Remove rubber gasket ② from grid drain body ①.

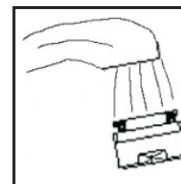


Apply plumber's putty to the underside of grid drain body ①, insert grid drain body ① to drain hole. Under basin, put back rubber gasket ②, tighten lock nut ③ with wrench tool. **Do not overtighten.** Clean excess putty. Wrap right amount of teflon tape to threads at the top of tailpiece ④, thread to the bottom of grid drain body ①. Hand tighten.



Important:

Tighten connection with two wrench to prevent damage to tube body. Be careful not to bend the stem as this will void the product warranty.



Important:

Remove the aerator and let both hot and cold water run for one minute. To clear any line trash. This will help clean any debris that might clog the system. Re-assemble aerator.

Test system for leaks .