

### **LIFETIME *Limited* WARRANTY**

Jandon warrants this product to be leak and drip-free during normal household use for as long as it is owned by the original consumer purchaser.

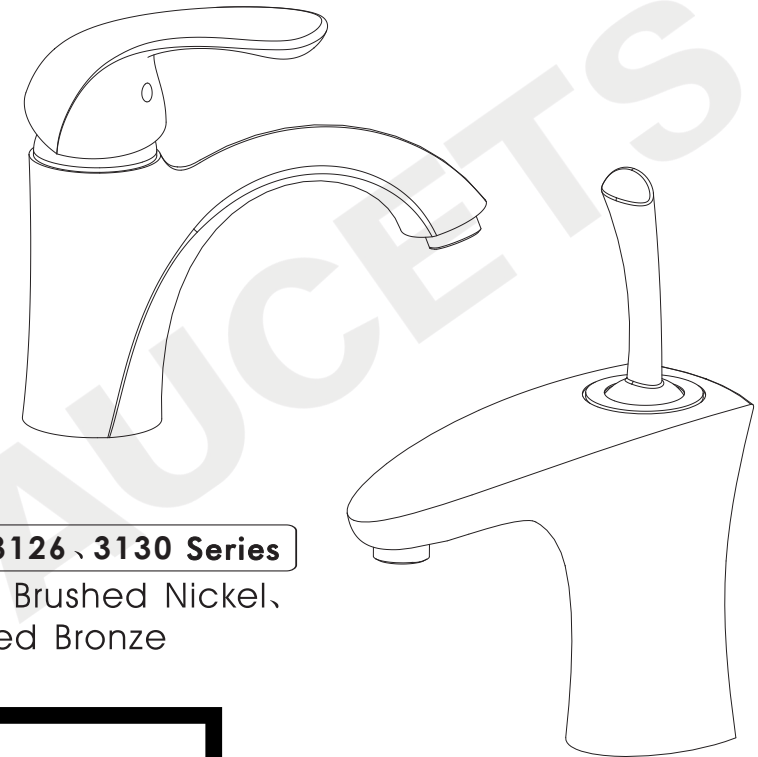
Should a malfunction occur within the time covered by this warranty, replacement parts may be obtained from the place of purchase or from Jandon's Customer Service Department at toll free 877-526-3668.

Jandon will, at Jandon's discretion, provide replacement parts for installation by consumer for any parts that prove defective under normal usage and service with new, like or equivalent Jandon parts.

This warranty shall not apply to goods which have been subject to accidents, negligence, improper installation, or misuse.

Our responsibility under this warranty is limited only to replacement of parts and no other costs.

This warranty covers the original consumer purchaser only and does not include business, commercial or industrial use of this product.



**Model : 3126 , 3130 Series**

Chrome, Brushed Nickel,  
Oil Rubbed Bronze

 **JANDON<sup>®</sup> FAUCETS**  
Useful Everyday

 **JANDON<sup>®</sup> FAUCETS**  
Useful Everyday

© All rights reserved. 2010-2011

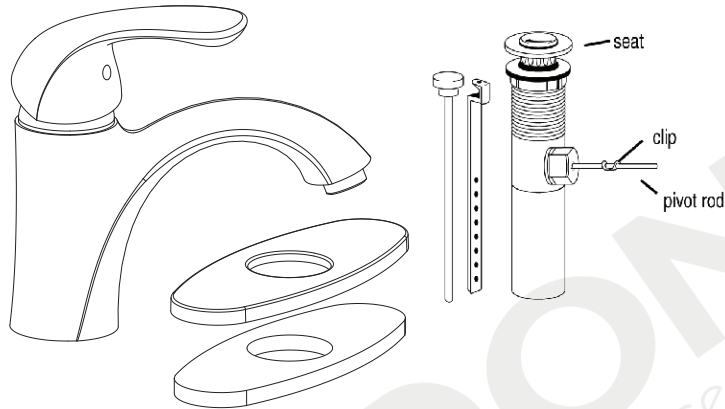
**Single Handle Lavatory Faucet With Pop-up**

Thank you for purchasing this **JANDON**® product. By following the care instructions in this booklet you will enjoy this quality item for many years to come.

**JANDON**® Faucets are crafted with the skill and quality to last for lifetime. You can appreciate the fine craftsmanship in your own home with Brookfield fixtures in contemporary designs, meticulously engineered with water and energy-saving features.

## Care Instructions

To clean, wipe gently with a soft, damp cloth, then wipe dry. **JANDON**® finished are very durable. However to ensure long lasting luster, harsh abrasives or polished should be avoided.

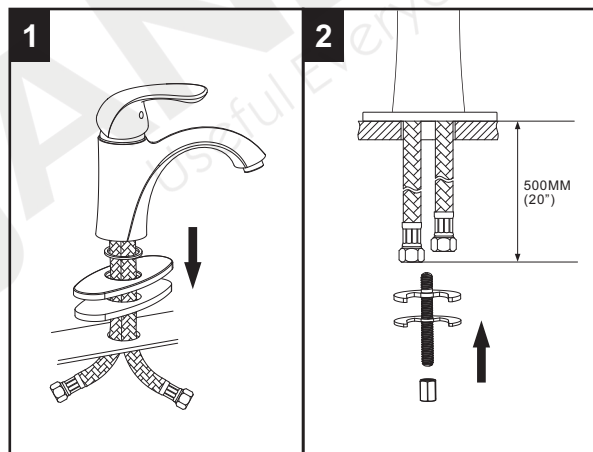


## INSTALLATION INSTRUCTIONS

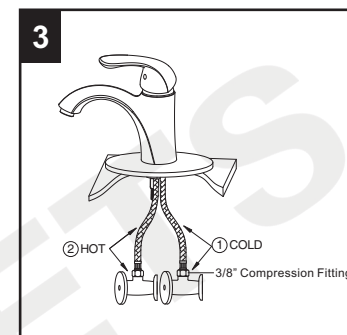
### To Install Single Handle Lavatory Faucet

#### Faucet installation

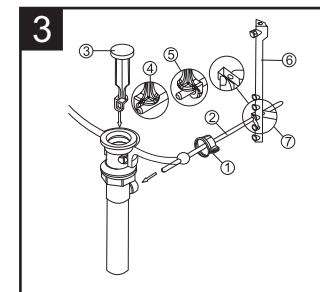
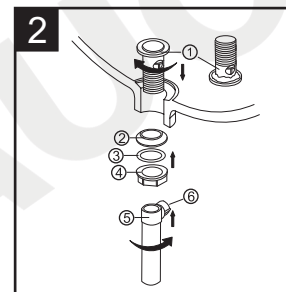
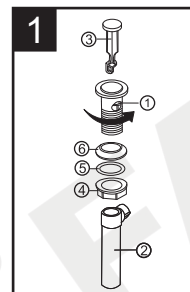
- 1 Put faucet body, slip ring, deck plate and putty plate in order on the counter.
- 2 Assemble the rubber washer, clamp, and bolt in order. Fix the faucet's position and direction. Next assemble the nut and tighten with the appropriate tool.



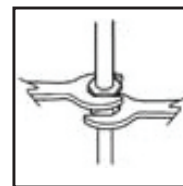
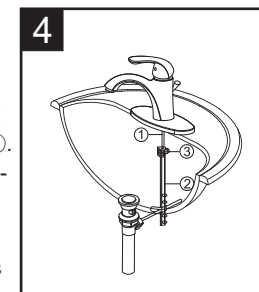
- 3 Connect blue marking hose ① to cold water supply, and red marking hose ② to hot water supply. Use wrenches to tighten connections. **Do not overtighten.** Note: angle valves not included.



## Pop-up Installation Instructions

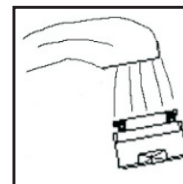


- 1 Unscrew pop-up body ① and tailpiece ②. Remove stopper ③. Unscrew lock nut ④ all the way down. Push transparent plastic washer ⑤ and rubber gasket ⑥ down.
- 2 Apply plumber's putty to the underside of pop-up body ①, insert pop-up body ① to drain hole. Under sink, put back rubber gasket ②, transparent plastic washer ③ in order, hand tighten lock nut ④. **Do not overtighten.** Thread the tailpiece ⑤ to the bottom of pop-up body ①. Hand tighten. Pivot hole ⑥ must face the back of the sink. Tighten lock nut ④. Do not overtighten. Clean excess putty.
- 3 Remove pivot nut ①. Install horizontal rod ② and stopper ③ as removable ④ or non-removable ⑤. Hand tighten pivot nut ①. Attach horizontal rod ② to strap ⑥ using clip ⑦.
- 4 Insert lift rod ① through faucet and into strap ②. Tighten screw ③.



#### Important:

Important  
Tighten connection with two wrench to prevent damage to tube body. Be careful not to bend the stem as this will void the product warranty.



#### Important:

Remove the aerator and let both hot and cold water run for one minute. To clear any line trash. This will help clean any debris that might clog the system. Re-assemble aerator.

**Test system for leaks .**