



Warranty Information

JANDON faucet warrants the original purchase (must have prove of purchase) that such product is free from defect in materials or workmanship for as long as the original consumer purchaser owns their home from the date of purchase. This warranty is limited to but not including labor charges incurred and/or damages sustained during installation, repair or replacement, nor incidental or consequential damages. This warranty does not cover items which have received secondary finishing or have been altered or modified after purchase, or for defects caused by physical abuse to or misuse of the product. This warranty gives the original purchaser of a JANDON faucet specific legal rights which may vary from state to state or from province to province. In some states or provinces the exclusion or limitation of incidental or consequential damages is not allowed, so those exclusions may not apply to you.

Thank you for your purchase !



Toll Free : 1 - 877 - 526 - 3668
 Website : www.jandonfaucet.com
 E - m a i l : info@jandonfaucet.com

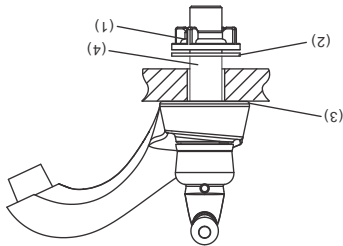
Model : 3203 Series

Chrome, Brushed Nickel PVD, Oil Rubbed Bronze



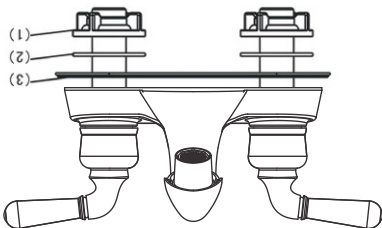
Two Handle Lavatory Faucet With Pop-up
 Fits 3 Hole Sink, 4" Center-set

A. Place faucet in position on the deck with rubber deck gasket (3) aligned. From underneath, place nut gaskets (2) back to faucet shank (4) then attach mounting lock nuts (1) and tighten.



B. Unscrew two mounting lock nuts (1). Take off two nut gaskets (2), do not remove rubber deck gasket (3). clean and dry.

A. Shut off water supply and drain lines. Clean sink surface thoroughly. Make sure mounting area is



Preparation / Mounting



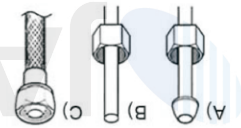
Screw Knife Pliers Channel Locks Adjustable Wrench



Plumbers Putty Flashlight Basin Wrench Safety Glasses



(A) 3/8" O.D. Copper tubing (ball nose risers with the coupling nuts or:
 (B) 3/8" Copper tubing (no ball) with supplied tube head interior connector or:
 (C) IPS faucet connectors (1/2")



Gather the necessary tools as shown below to complete the installation of this faucet. Some may not be needed depending on the model of faucet you are installing. Check with your local hardware store on the requirements of your installation situation.

Tools:

Helpful Tools

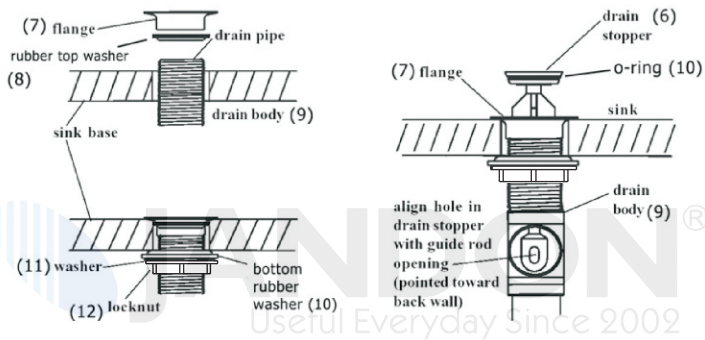
Helpful Information



2

Pop-up Installation

Instruction for product with drain option only

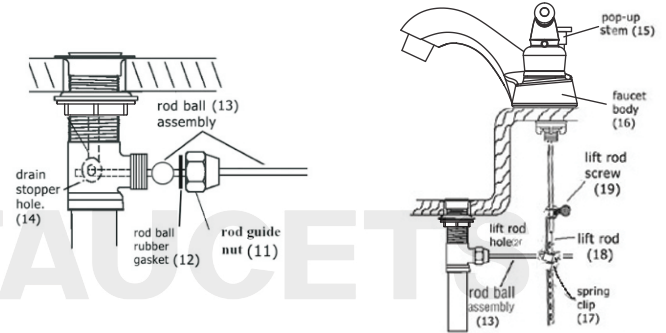


- A. Remove pop-up drain stopper (6) and flange (7) with top rubber washer (8) for pop-up assembly.
- B. Insert drain body from underneath of sink drain hole. Replace flange (7) and top rubber washer (8) back to drain body (9). Tighten flange as far as possible.
- C. Slide bottom rubber washer (10) back on drain pipe up against bottom of sink. Tighten washer (11) and lock nut (12) firmly against base for tight seal.
- A. Replace pop-up drain stopper (6) to drain body (9) with o-ring (10) in place, and align stopper hole with guide and opening.

3

Pop-up Installation

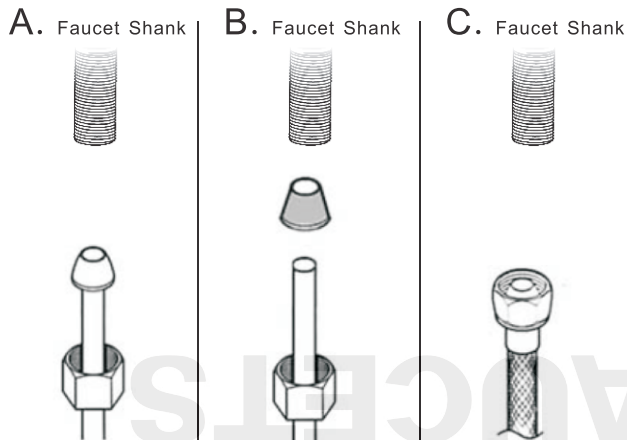
Instruction for product with drain option only



- A. Remove rod guide nut (11) and rod ball rubber gasket (12).
- B. Insert rod ball assembly (13) into drain body (9) and through hole in drain stopper (14).
- C. Replace rod guide nut (11) with rod ball rubber gasket (12) and tighten.
- A. Insert pop-up stem (15) through hole on faucet body (16). Connect rod ball assembly (13) to lift rod (18) using spring clip (17) to hold and adjust.
- B. Attach lift rod (18) with pop-up stem (15) by inserting stem through hole in lift rod (20). Now adjust pop-up stem (15) to correct height and hand tighten lift rod screw (19).

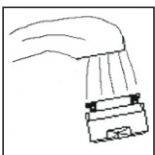
4

Configuration



Connect to water supply lines with either:

- (A) 3/8" O.D. Copper tubing (ball nose risers with the coupling nuts or;
- (B) 3/8" Copper tubing (no ball) with supplied tube head interior connector or;
- (C) IPS faucet connectors (1/2")



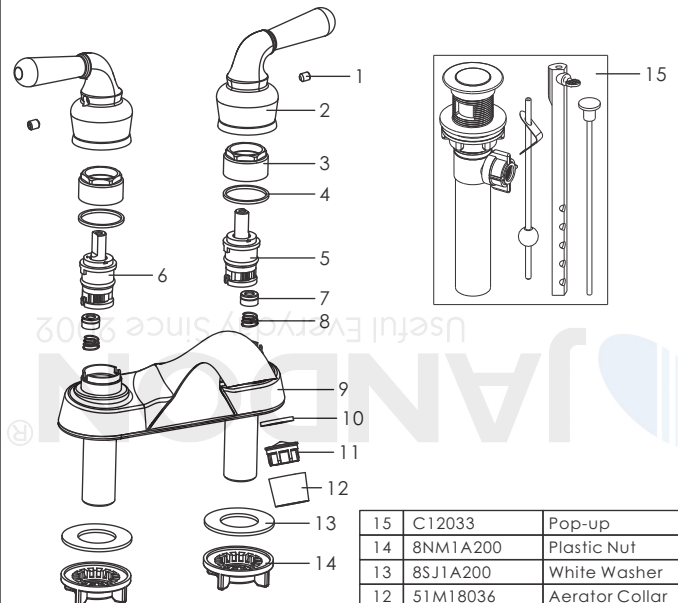
Important:

Remove the aerator and let both hot and cold water run for one minute. To clear any line trash. This will help clean any debris that might clog the system. Re-assemble aerator.

Test system for leaks .

5

Parts Diagram / List



15	C12033	Pop-up
14	8NM1A200	Plastic Nut
13	8SJ1A200	White Washer
12	51M18036	Aerator Collar
11	82M24021	Aerator Core
10	8J213X158X3A	O-ring
9	52T18036DQ	Body
8	5TH18036	Spring
7	5XJ18036	O-ring
6	K00023250	Cartridge(Hot Water)
5	K0002325Z	Cartridge(Cold Water)
4	8SJ285X255X17	O-ring
3	8YG23000	Cartridge Locknut
2	P04MW5	Handle
1	8EM5X5	Screw
No.	Part Number	Part Name