



## Warranty Information

JANDON faucet warrants the original purchase (must have prove of purchase) that such product is free from defect in materials or workmanship for as long as the original consumer purchaser owns their home from the date of purchase. This warranty is limited to but not including labor charges incurred and/or damages sustained during installation, repair or replacement, nor incidental or consequential damages. This warranty does not cover items which have received secondary finishing or have been altered or modified after purchase, or for defects caused by physical abuse to or misuse of the product. This warranty gives the original purchaser of a JANDON faucet specific legal rights which may vary from state to state or from province to province. In some states or provinces the exclusion or limitation of incidental or consequential damages is not allowed, so those exclusions may not apply to you.

Thank you for your purchase !

**JANDON® FAUCETS**  
Useful Everyday

Toll Free : 1 - 877 - 526 - 3668  
Website : [www.jandonfaucet.com](http://www.jandonfaucet.com)  
E - mail : [info@jandonfaucet.com](mailto:info@jandonfaucet.com)

**JANDON® FAUCETS**  
Useful Everyday

**Model : 5107-WS Series**

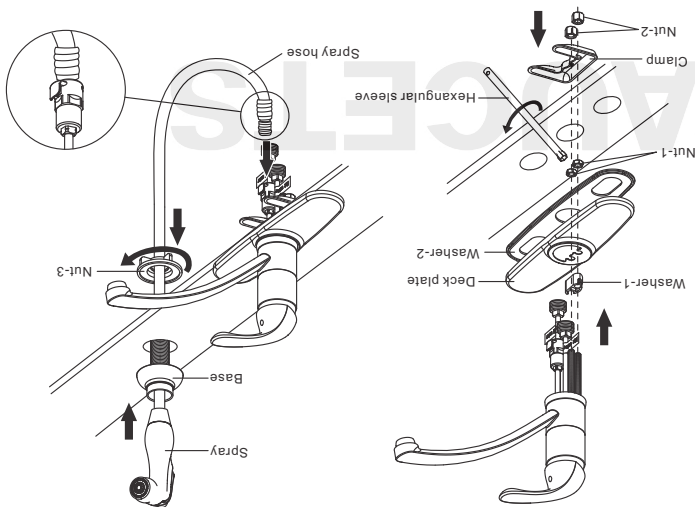
Chrome, Brushed Nickel PVD, Oil Rubbed Bronze



**Single Handle Kitchen Faucet With Side Spray**  
4 Hole or 2 Hole Installation

1. Assemble "Washer-1" to faucet.
  2. Assemble "Deck plate" and "Washer-2" to faucet.
  3. Assemble "Nut-1" under deck plate, tighten with "Hexangular sleeve".
  4. Position faucet on sink.
  5. Assemble "Clamp" and "Nut-2" under deck, tighten with "Hexangular sleeve".
  6. Position and assemble "Spray" and "Base" on counter top, tighten "Nut-3" under deck.
  7. Connect "Spray hose" and "Quick connect" properly.
  8. CAUTION: Make sure hose is properly engaged and secure in faucet hose quick connect.
  8. Assemble Hot and Cold faucet supply lines to supply stops.
- CAUTION: Do Not Over Tighten Supply Nuts. Over tightening supply nuts may damage washers or crack the supply nuts.

### Install With Deck Plate :



Install With Deck Plate



Gather the necessary tools as shown below to complete the installation of this faucet. Some may not be needed depending on the model of faucet you are installing. Check with your local hardware store on the requirements of your installation situation.

### Tools :

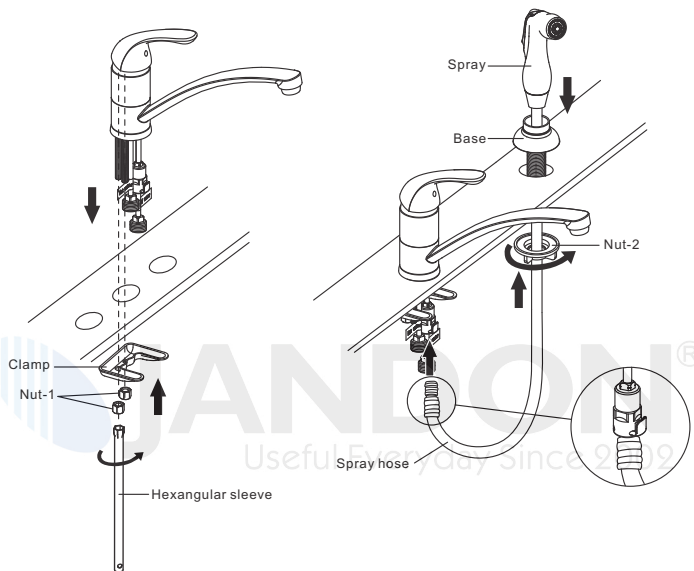
Helpful Tools

Helpful Information



2

## Install Without Deck Plate

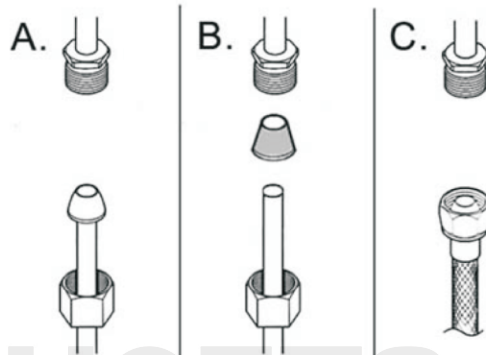


### Install Without Deck Plate

1. Position faucet on sink.
2. Assemble "Clamp" and "Nut-1" under deck, tighten with "Hexangular sleeve".
3. Position and assemble "Spray" and "Base" on counter top, tighten "Nut-2" under deck.
4. Connect "Spray hose" and "Quick connect" properly.  
CAUTION: Make sure hose is properly engaged and secure in faucet hose quick connect.
5. Assemble Hot and Cold faucet supply lines to supply stops.  
CAUTION: Do Not Over Tighten Supply Nuts. Over tightening supply nuts may damage washers or crack the supply nuts.

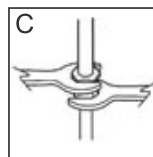
3

## Configuration



Connect to water supply lines with either:

- (A) 3/8" O.D. Copper tubing (ball nose risers with the coupling nuts or;
- (B) 3/8" Copper tubing (no ball) with supplied tube head interior connector or;
- (C) IPS faucet connectors (1/2" )



#### Important:

Important  
Tighten connection with two wrench to prevent damage to tube body. Be careful not to bend the stem as this will void the product warranty.

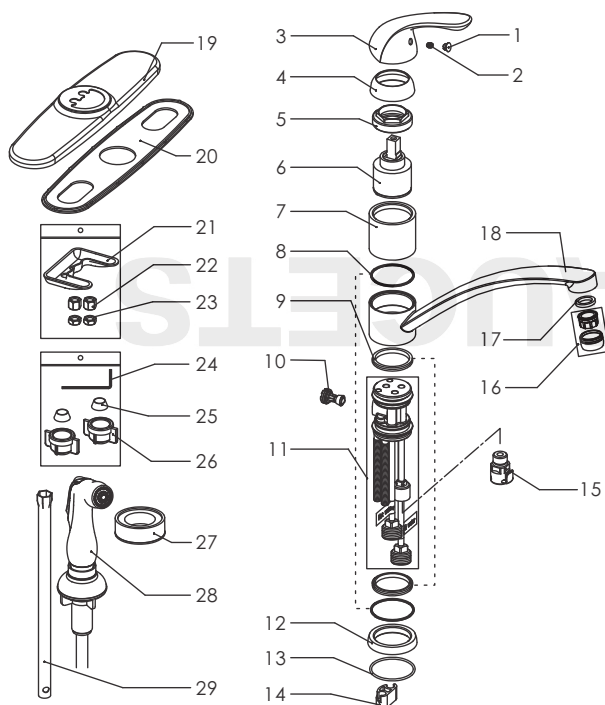


#### Important:

Let both hot and cold water run for one minute. To clear any line trash. This will help clean any debris that might clog the system.  
**Test system for leaks .**

4

## Parts Diagram



5

## Parts List

29	51N5A001	Hexangular Sleeve
28	F1510A	Spray
27	8ZW00001	Teflon Tape
26	8NM15226	Nut
25	8XJ15226	Washer
24	8BS25	Allen Key
23	6NM5A001	Fixed Nut
22	5NM5A001	Nut
21	50N5A001	Clamp
20	7MB56226	Washer
19	5MBT8155	Deck Plate
18	80G56226DQ	Spout
17	8J213X158X3A	O-ring
16	M24221	Aerator
15	JT56226	Quick Connect
14	52T5A001	Washer
13	8J48X2	O-ring
12	8DZ56226	Base
11	50T5A001DQ	Core
10	J55226	Diverter
9	82T56001A	Seating Rubber Ring
8	89T56001	O-ring
7	51T5A001	Sleeve
6	J10400	Cartridge
5	5YG40005	Cartridge Locknut
4	8ZG40000	Trim Cap
3	80P40WC2	Handle
2	8CM5X7	Screw
1	80N81010	Index
No.	Part Number	Part Name