



## Warranty Information

JANDON faucet warrants the original purchase (must have prove of purchase) that such product is free from defect in materials or workmanship for as long as the original consumer purchaser owns their home from the date of purchase. This warranty is limited to but not including labor charges incurred and/or damages sustained during installation, repair or replacement, nor incidental or consequential damages. This warranty does not cover items which have received secondary finishing or have been altered or modified after purchase, or for defects caused by physical abuse to or misuse of the product. This warranty gives the original purchaser of a JANDON faucet specific legal rights which may vary from state to state or from province to province. In some states or provinces the exclusion or limitation of incidental or consequential damages is not allowed, so those exclusions may not apply to you.

Thank you for your purchase !



Toll Free : 1 - 877 - 526 - 3668  
 Website : [www.jandonfaucet.com](http://www.jandonfaucet.com)  
 E - m a i l : [info@jandonfaucet.com](mailto:info@jandonfaucet.com)



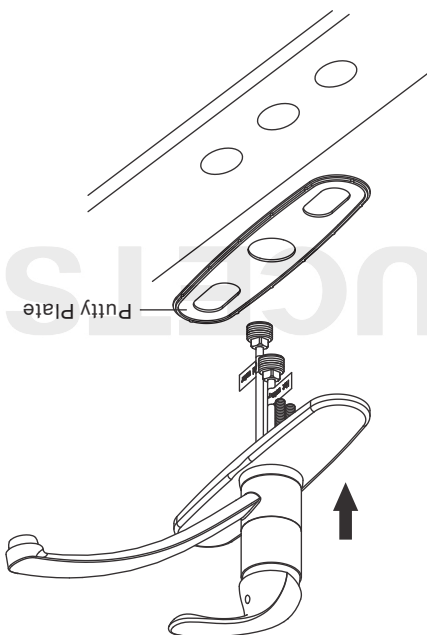
## Model : 5107 Series

Chrome, Brushed Nickel PVD, Oil Rubbed Bronze



**Single Handle Kitchen Faucet**  
 3 Hole or Single Hole Installation

1. Attach putty plate to the bottom of the faucet and install faucet lines through the second hole from the left of the sink.



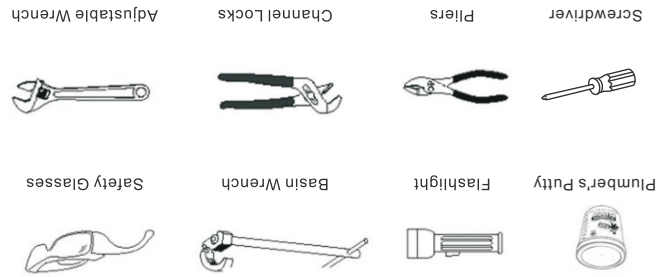
## Faucet Installation



**Tools:**  
 Helpful Tools

Gather the necessary tools as shown below to complete the installation of this faucet. Some may not be needed depending on the model of faucet you are installing. Check with your local hardware store on the requirements of your installation situation.

- (A) 3/8" O.D. Copper tubing (ball nose risers with the coupling nuts or;
- (B) 3/8" Copper tubing (no ball) with supplied tube head interior connector or;
- (C) IPS faucet connectors (1/2")

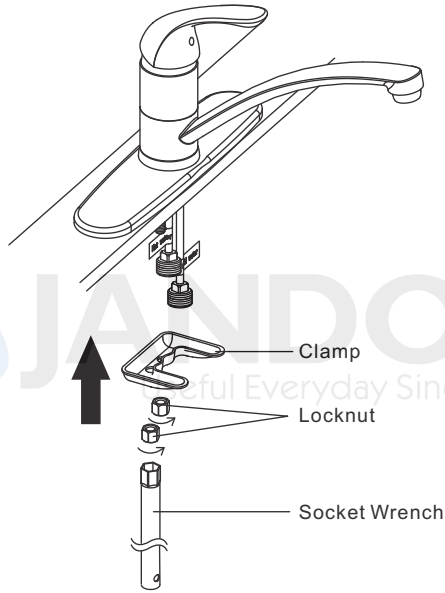


## Helpful Information



2

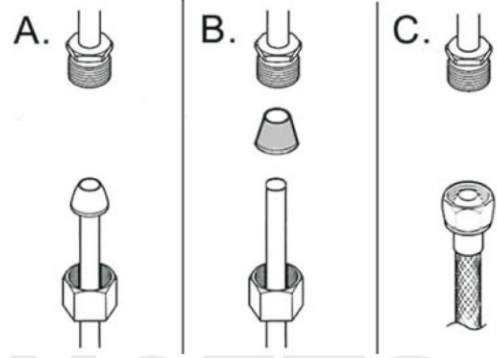
## Faucet Installation



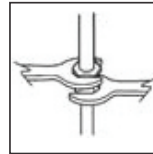
2. Using socket wrench, attach clamp and locknut on mounting body, then tighten but do not over tighten. Hint - Easier to do with a second person holding the faucet in place while the first person tightens the faucet.

3

## Configuration

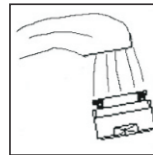


Connect to water supply lines with either:  
 (A) 3/8" O.D. Copper tubing (ball nose risers with the coupling nuts or;  
 (B) 3/8" Copper tubing (no ball) with supplied tube head interior connector or;  
 (C) IPS faucet connectors (1/2" )



**Important:**

Important  
Tighten connection with two wrench to prevent damage to tube body. Be careful not to bend the stem as this will void the product warranty.



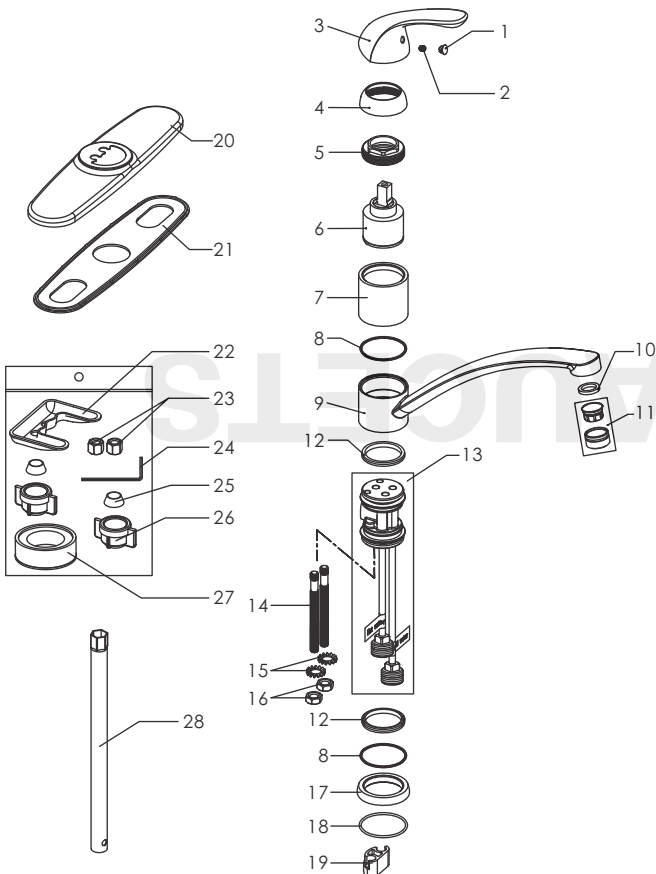
**Important:**

Remove the aerator and let both hot and cold water run for one minute. To clear any line trash. This will help clean any debris that might clog the system. Re-assemble aerator.

**Test system for leaks .**

4

## Parts Diagram



5

## Parts List

28	51N5A001	Socket Wrench
27	8ZW00001	Teflon Tape
26	8NM15226	Plastic Nut
25	8XJ15226	Sealing Ring
24	8BS25	Allen Key
23	5NM5A001	Locknut
22	50N5A001	Clamp
21	7MB56226	Putty Plate
20	5MBT8155	Deck Plate
19	52T5A001	Plastic Washer
18	8J48X2	O-ring
17	8DZ56226	Hub Base
16	6NM5A001	Locknut
15	8SD148X85X26	Stainless Steel Washer
14	8BM8X090	Bolt
13	81T56V26DQ	Waterway
12	82T56001A	Sealing Ring
11	M24221	Aerator
10	8J213X158X3A	O-ring
9	80G56226DQ	Spout
8	89T56001	Wearing Ring
7	51T5A001	Cartridge Sleeve
6	J10400	Cartridge
5	5YG40005	Cartridge Locknut
4	8ZG40000	Trim Cap
3	80P40WC2	Handle
2	8CM5X7	Set Screw
1	80N81010	Index
<b>No.</b>	<b>Part Number</b>	<b>Part Name</b>