



Warranty Information

JANDON faucet warrants the original purchase (must have prove of purchase) that such product is free from defect in materials or workmanship for as long as the original consumer purchaser owns their home from the date of purchase. This warranty is limited to but not including labor charges incurred and/or damages sustained during installation, repair or replacement, nor incidental or consequential damages. This warranty does not cover items which have received secondary finishing or have been altered or modified after purchase, or for defects caused by physical abuse to or misuse of the product. This warranty gives the original purchaser of a JANDON faucet specific legal rights which may vary from state to state or from province to province. In some states or provinces the exclusion or limitation of incidental or consequential damages is not allowed, so those exclusions may not apply to you.

Thank you for your purchase !



Toll Free : 1 - 877 - 526 - 3668
 Website : www.jandonfaucet.com
 E - m a i l : info@jandonfaucet.com

JANDON® FAUCETS

Useful Everyday

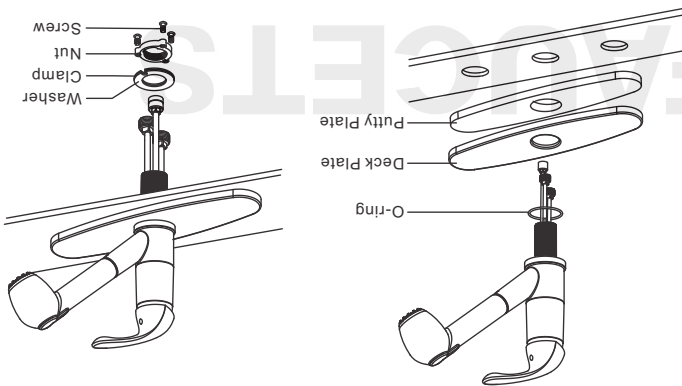
Model : 5119 Series

Chrome, Brushed Nickel, Oil Rubbed Bronze



Single Handle Kitchen Pull-out Faucet
 3 Hole or Single Hole Installation

1. Position the faucet, deck plate and putty plate in order on the countertop as shown. Don't forget the O-ring.
2. Assemble washer & clamp and nut to faucet threaded sleeve by hand and tighten the screws with screwdriver.



Install With Deck Plate



Gather the necessary tools as shown below to complete the installation of this faucet. Some may not be needed depending on the model of faucet you are installing. Check with your local hardware store on the requirements of your installation situation.

Tools:

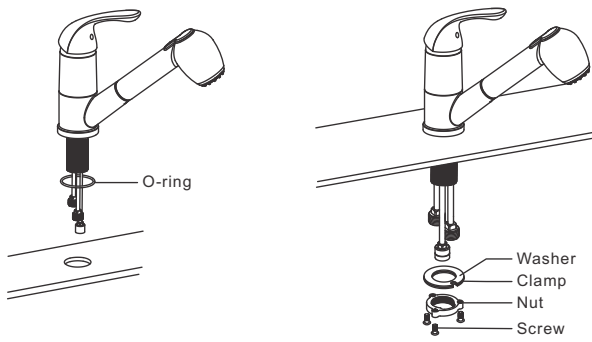
Helpful Tools

Helpful Information



2

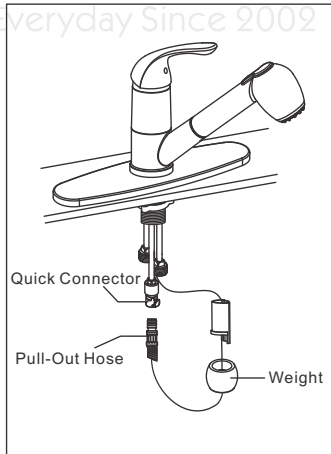
Install Without Deck Plate



Pull-out hose installation

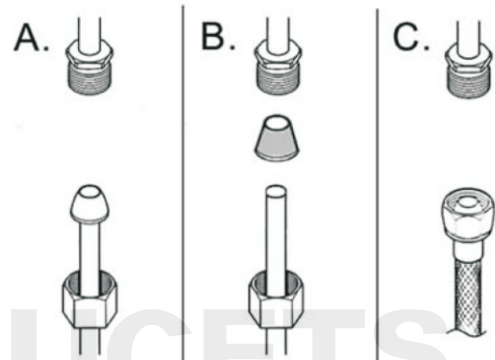
Slip the weight onto the pull-out hose, and connect the end of the pull-out hose to the quick connector.

CAUTION: MAKE SURE THE HOSE IS PROPERLY ENGAGED AND SECURED IN THE QUICK CONNECTOR.



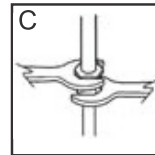
3

Configuration



Connect to water supply lines with either:

- (A) 3/8" O.D. Copper tubing (ball nose risers with the coupling nuts or;
- (B) 3/8" Copper tubing (no ball) with supplied tube head interior connector or;
- (C) IPS faucet connectors (1/2")



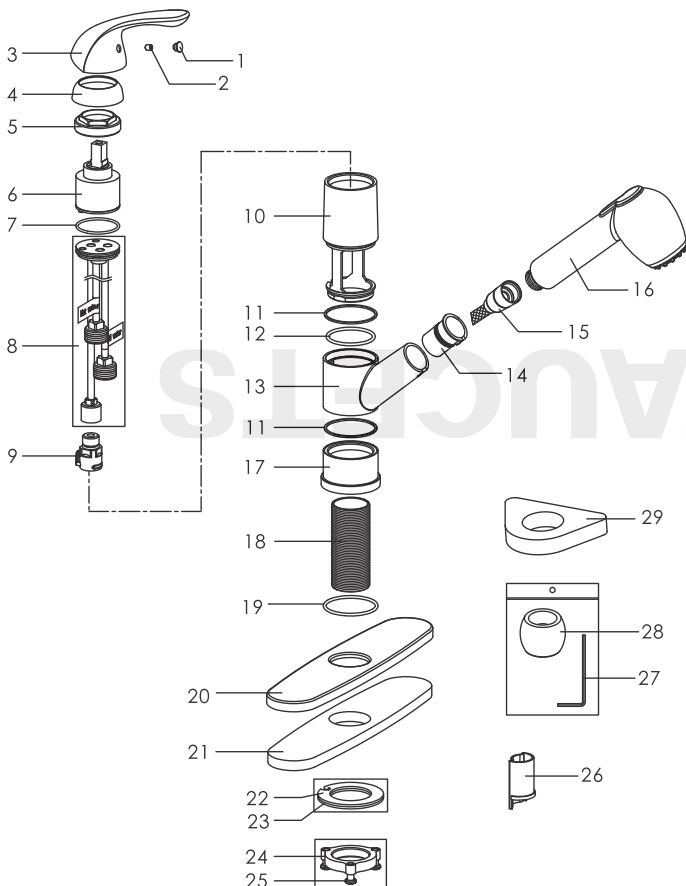
Important:

Important

Tighten connection with two wrench to prevent damage to tube body. Be careful not to bend the stem as this will void the product warranty.

4

Parts Diagram



5

Parts List

29	8DZSJ000	Base
28	5QQ07000	Weight
27	8BS25	Allen Key
26	8HT56U26	Pull-out Protector
25	8RM6X15	Screw
24	8NM56080	Nut
23	80N56080	Clamp
22	81N56080	Washer
21	5PDT808M	Putty Plate
20	5MBT8095	Deck Plate
19	8J50X25	O-ring
18	81T56089	Threaded Sleeve
17	5DZ56103	Base
16	F2525	Shower
15	H56020	Pull-Out Hose
14	85T56080	Plastic Coop
13	50G56103	Spout
12	8J45X26	O-ring
11	8SJ48X446X13	Wearing Ring
10	51T56103	Sleeve
9	JT56226	Quick Connector
8	50T56103DQ	Connective Bar
7	8J40X2	O-ring
6	J10400	Cartridge
5	5YG40005	Cartridge Locknut
4	8ZG40000	Trim Cap
3	80P40WC2	Handle
2	8CM5X7	Screw
1	80N81010	Index
No.	Part Number	Part Name