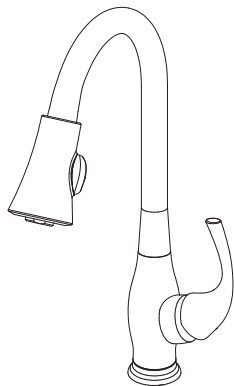


Thank you for purchasing this **JANDON**[®] product. By following the care instructions in this booklet you will enjoy this quality item for many years to come.

JANDON[®] Faucets are crafted with the skill and quality to last for lifetime. You can appreciate the fine craftsmanship in your own home with Brookfield fixtures in contemporary designs, meticulously engineered with water and energy-saving features.

Care Instructions

To clean, wipe gently with a soft, damp cloth, then wipe dry. **JANDON**[®] finished are very durable. However to ensure long lasting luster, harsh abrasives or polished should be avoided.

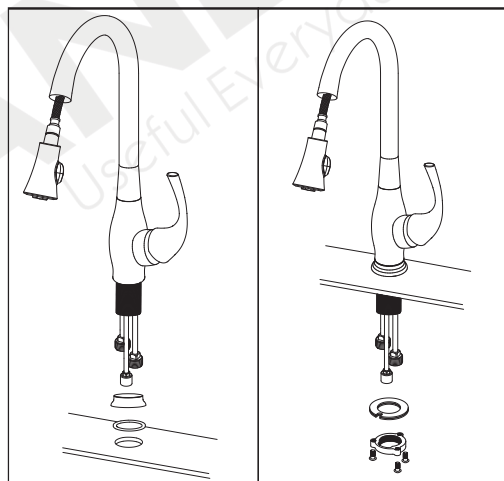


INSTALLATION INSTRUCTIONS

To Install Single Handle Hi Arc Pull-down Kitchen Faucet

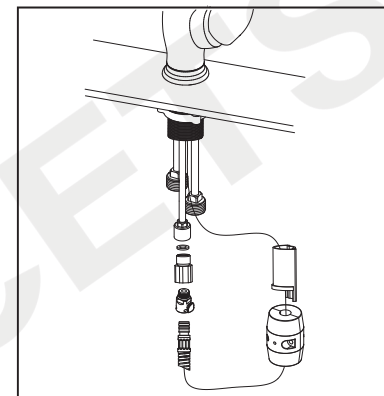
Faucet installation

- 1 Pass the shank and the supply tubes down through the base and O-ring, and insert into the sink hole.
- 2 Assemble anchor kit, nut, and screw in order. Fix the faucet's position and direction. Next assemble the screw and tighten with the appropriate tool.



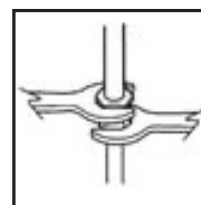
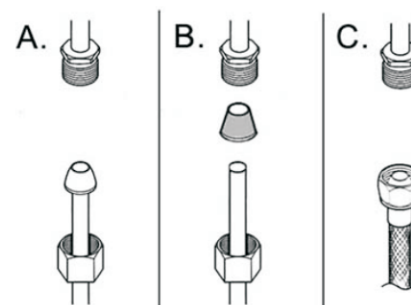
Pull-out hose installation

- 1 Slip the hose weight onto the pullout hose. Connect the end of the pullout hose to the pullout tube using a quick connector.



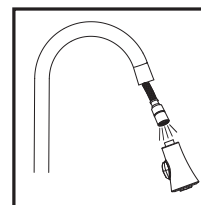
Water supply connection

- Connect to water supply lines with either:
- (A) 3/8" O.D. Copper tubing (ball nose risers with the coupling nuts or;)
 - (B) 3/8" Copper tubing (no ball) with supplied tube head interior connector or;
 - (C) IPS faucet connectors (1/2")



Important:

Tighten connection with two wrenches to prevent damage to tube body. Be careful not to bend the stem as this will void the product warranty.



Important:

Remove the pull-down wand and let both hot and cold water run for one minute. To clear any line trash. This will help clean any debris that might clog the system. Re-assemble pull-down wand.

Test system for leaks .

LIFETIME *Limited* WARRANTY

Jandon warrants this product to be leak and drip-free during normal household use for as long as it is owned by the original consumer purchaser.

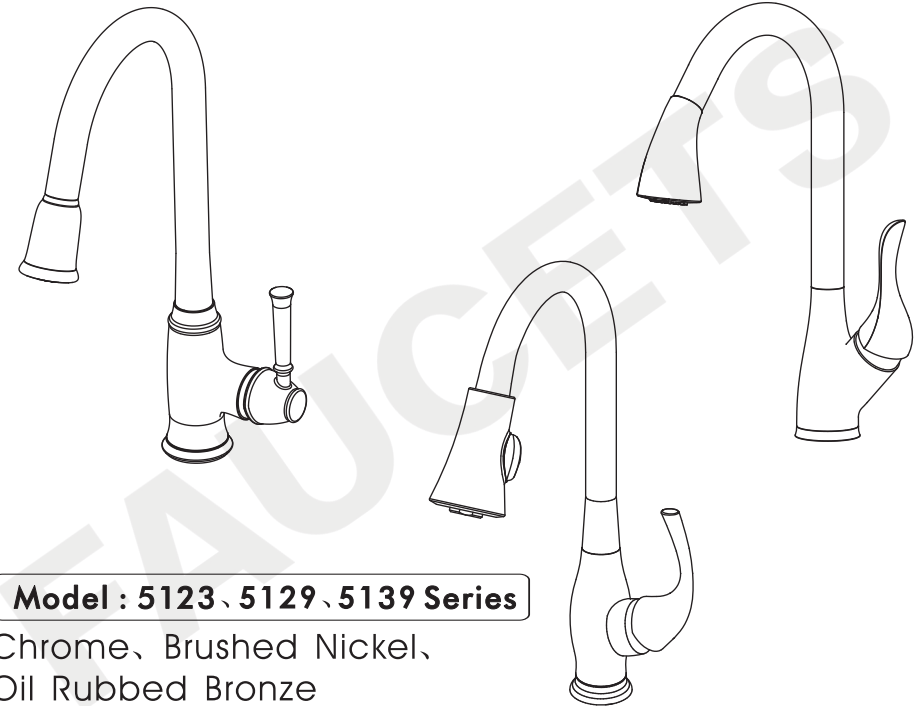
Should a malfunction occur within the time covered by this warranty, replacement parts may be obtained from the place of purchase or from Jandon's Customer Service Department at toll free 877-526-3668.

Jandon will, at Jandon's discretion, provide replacement parts for installation by consumer for any parts that prove defective under normal usage and service with new, like or equivalent Jandon parts.

This warranty shall not apply to goods which have been subject to accidents, negligence, improper installation, or misuse.

Our responsibility under this warranty is limited only to replacement of parts and no other costs.

This warranty covers the original consumer purchaser only and does not include business, commercial or industrial use of this product.



 **JANDON[®] FAUCETS**
Useful Everyday

 **JANDON[®] FAUCETS**
Useful Everyday

© All rights reserved. 2010-2011

Single Handle HI ARC Pull-down Kitchen Faucet