



Warranty Information

JANDON faucet warrants the original purchase (must have prove of purchase) that such product is free from defect in materials or workmanship for as long as the original consumer purchaser owns their home from the date of purchase. This warranty is limited to but not including labor charges incurred and/or damages sustained during installation, repair or replacement, nor incidental or consequential damages. This warranty does not cover items which have received secondary finishing or have been altered or modified after purchase, or for defects caused by physical abuse to or misuse of the product. This warranty gives the original purchaser of a JANDON faucet specific legal rights which may vary from state to state or from province to province. In some states or provinces the exclusion or limitation of incidental or consequential damages is not allowed, so those exclusions may not apply to you.

Thank you for your purchase !



Toll Free : 1 - 877 - 526 - 3668
Website : www.jandonfaucet.com
E - mail : info@jandonfaucet.com



Model : 5135 Series

Chrome, Brushed Nickel PVD, Oil Rubbed Bronze



Single Handle Pull-Out Kitchen Faucet

3 Hole or Single Hole Installation



Helpful Information

Helpful Tools

Tools:

Gather the necessary tools as shown below to complete the installation of this faucet. Some may not be needed depending on the model of faucet you are installing. Check with your local hardware store on the requirements of your installation situation.



Plumber's Putty



Flashlight



Basin Wrench



Safety Glasses



Screwdriver



Pliers



Channel Locks



Adjustable Wrench

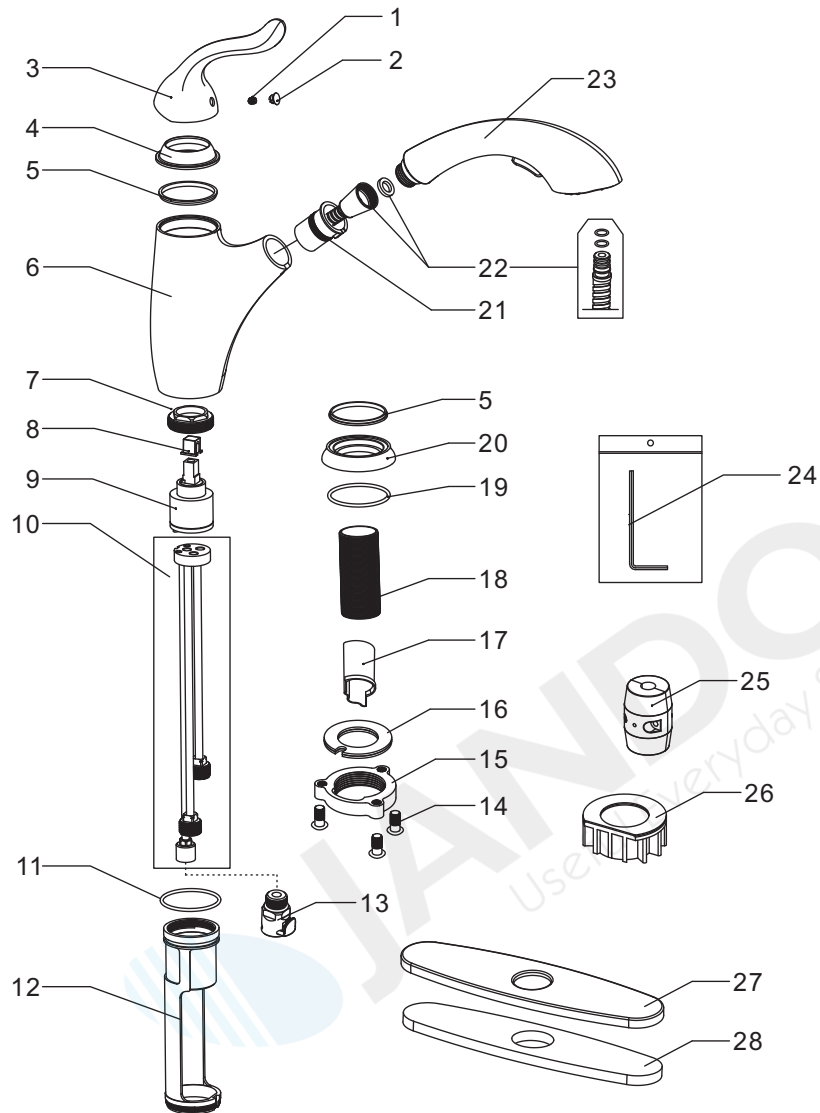
5

Parts List

28	Putty Plate
27	Deck Plate
26	Plastic Base
25	Weight
24	Allen Key
23	Spray
22	Pull-out Hose
21	Spout Hub Bushing
20	Hub Base
19	O-ring
18	Shank
17	Protective Sleeve
16	Clamp
15	Locknut
14	Screw
13	Quick Connect Assembly
12	Waterway Sleeve
11	O-ring
10	Waterway
9	Cartridge
8	Cartridge Adapter
7	Cartridge Locknut
6	Body
5	Washer
4	Trim Cap
3	Handle
2	Index
1	Set Screw
No.	Part Name

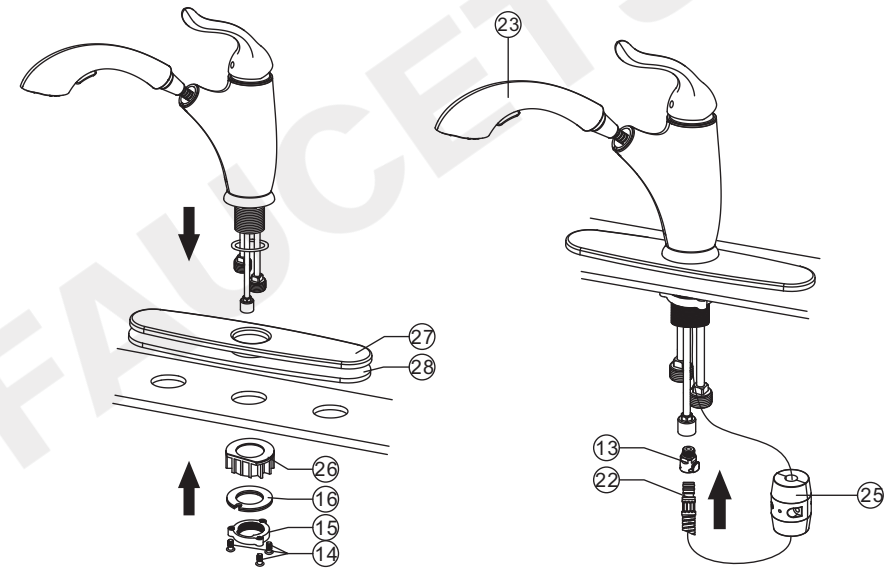
4

Parts Diagram



1

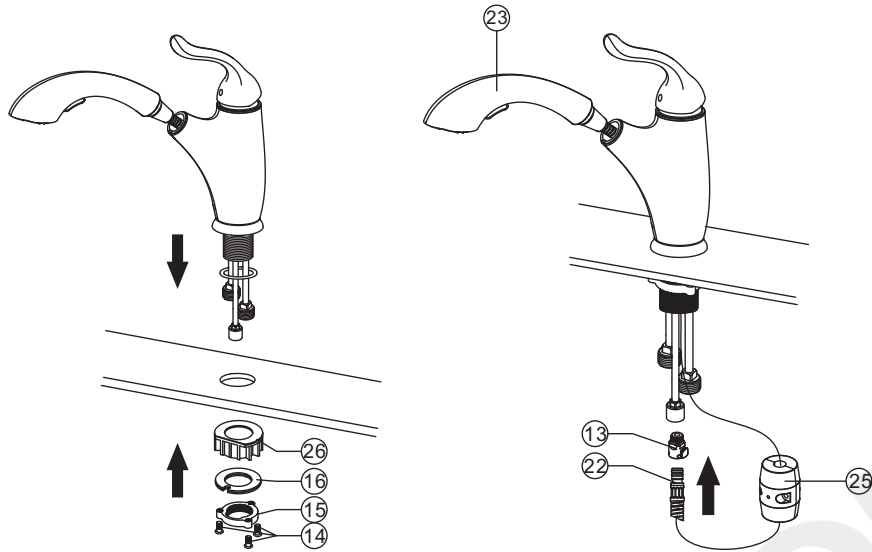
Install With Deck Plate



1. Assemble deck plate (27) and putty plate (28) to faucet.
2. Position faucet on countertop.
3. From underneath of the countertop, assemble plastic base (26) (NOTE: applicable when the faucet is installed in sink), clamp (16) and locknut (15) and screw (14). Tighten the locknut by hand and secure the screws with screwdriver.
4. Connect pull-out hose (22) to quick connect assembly (13).
CAUTION: Make sure hose is properly engaged and secure in quick connect assembly.
5. Fix the weight (25) to the pull-out hose (22).
6. Connect supply lines to water supply valve. (supply valves and supply lines are not included, please purchase them in local plumbing shops).
CAUTION: DON'T OVER TIGHTEN THE SUPPLY LINES. OTHERWISE IT MIGHT DAMAGE THE WASHERS AND NUTS OF SUPPLY LINES AND CAUSE LEAK.
7. Remove spray (23) from faucet and flush water through faucet to remove any line trash.
8. Replace spray (23) and run water through faucet for checking leaks at all connections.

2

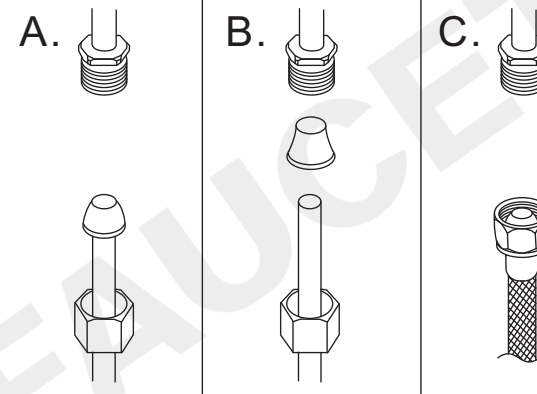
Install Without Deck Plate



1. Position faucet on countertop.
2. From underneath of the countertop, assemble plastic base **26** (NOTE: applicable when the faucet is installed in sink), clamp **16** and locknut **15** and screw **14**. Tighten the locknut by hand and secure the screws with screwdriver.
3. Connect pull-out hose **22** to quick connect assembly **13**.
CAUTION: Make sure hose is properly engaged and secure in quick connect assembly.
4. Fix the weight **25** to the pull-out hose **22**.
5. Connect supply lines to water supply valve. (supply valves and supply lines are not included, please purchase them in local plumbing shops).
CAUTION: DON'T OVER TIGHTEN THE SUPPLY LINES. OTHERWISE IT MIGHT DAMAGE THE WASHERS AND NUTS OF SUPPLY LINES AND CAUSE LEAK.
6. Remove spray **23** from faucet and flush water through faucet to remove any line trash.
7. Replace spray **23** and run water through faucet for checking leaks at all connections.

3

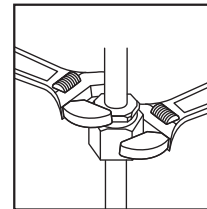
Hose Installation



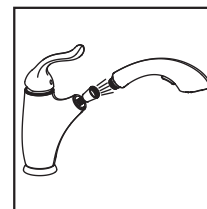
Warning:
The supply valves and supply lines are not included, please purchase them in plumbshop.

Connect to water supply lines with either:

- (A) 3/8" O.D. Copper tubing (ball nose risers with the coupling nuts or;
- (B) 3/8" Copper tubing (no ball) with supplied tube head interior connector or;
- (C) IPS faucet connectors (1/2")

**Important:**

Tighten connection with two wrench to prevent damage to tube body. Be careful not to bend the stem as this will void the product warranty.

**Important:**

Remove the spray head and let both hot and cold water run for one minute. To clear any line trash. This will help clean any debris that might clog the system. Re-assemble spray head.

Test system for leaks .