



Warranty Information

JANDON faucet warrants the original purchase (must have prove of purchase) that such product is free from defect in materials or workmanship for as long as the original consumer purchaser owns their home from the date of purchase. This warranty is limited to but not including labor charges incurred and/or damages sustained during installation, repair or replacement, nor incidental or consequential damages. This warranty does not cover items which have received secondary finishing or have been altered or modified after purchase, or for defects caused by physical abuse to or misuse of the product. This warranty gives the original purchaser of a JANDON faucet specific legal rights which may vary from state to state or from province to province. In some states or provinces the exclusion or limitation of incidental or consequential damages is not allowed, so those exclusions may not apply to you.

Thank you for your purchase !



Toll Free : 1 - 877 - 526 - 3668
 Website : www.jandonfaucet.com
 E - m a i l : info@jandonfaucet.com

Model : 5137 Series

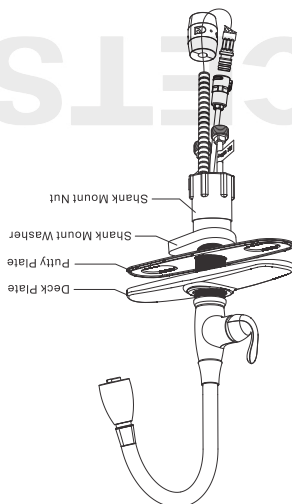
Chrome, Brushed Nickel PVD, Oil Rubbed Bronze



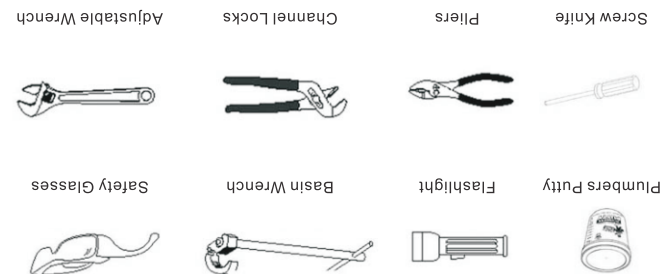
Single Handle HI ARC Pull-down Kitchen Faucet
 3 Hole or Single Hole Installation

1. Remove "Hub Base Ring" from faucet.
2. Assemble "Deck Plate" to faucet.
3. Re-assemble "Hub Base Ring" under deck plate.
4. Assemble "Putty Plate" to faucet.
5. Position faucet on sink.
6. From underside of sink, assemble "Mount Washer & Nut" and "Stud Nuts".
7. Assemble "Braided Spray Hose" to "Hose Quick Connect".
8. CAUTION: Make sure hose is properly engaged and secure in faucet hose quick connect.
9. Assemble hose weight to braided spray hose.
10. Assemble Hot and Cold faucet supply lines to supply stops.
11. CAUTION: Do Not Over Tighten Supply Nuts. Over tightening supply nuts may damage washers or crack the supply nuts.
12. Remove spray wand from faucet and flush water through faucet to remove any line trash.
13. Assemble spray wand and run water through faucet while checking for leaks at all connections.

Install With Deck Plate :



Install With Deck Plate



- (A) 3/8" O.D. Copper tubing (ball nose risers with the coupling nuts or;
- (B) 3/8" Copper tubing (no ball) with supplied tube head interior connector or;
- (C) IPS faucet connectors (1/2")

Gather the necessary tools as shown below to complete the installation of this faucet. Some may not be needed depending on the model of faucet you are installing. Check with your local hardware store on the requirements of your installation situation.

Tools:

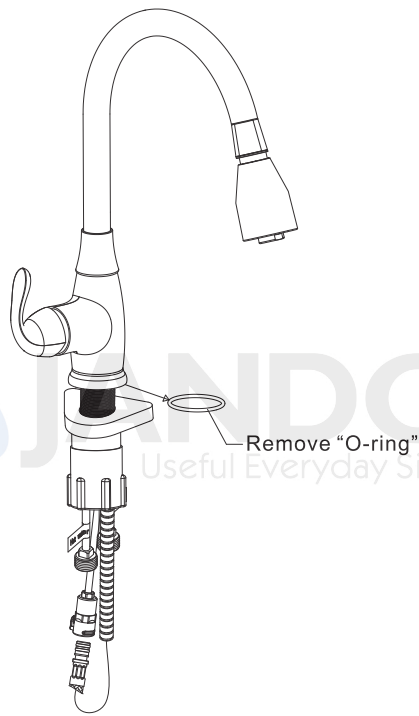
Helpful Tools

Helpful Information



2

Install Without Deck Plate

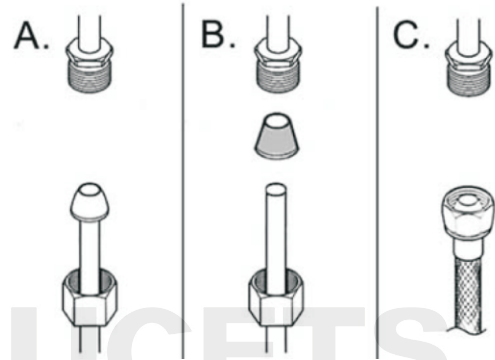


Install Without Deck Plate :

1. Remove "O-ring" from hub base ring on faucet.
2. Assemble faucet to sink following steps (5) through (11) from page 1.

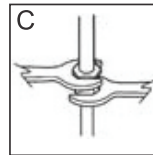
3

Configuration



Connect to water supply lines with either:

- 3/8" O.D. Copper tubing (ball nose risers with the coupling nuts or;
- 3/8" Copper tubing (no ball) with supplied tube head interior connector or;
- IPS faucet connectors (1/2")



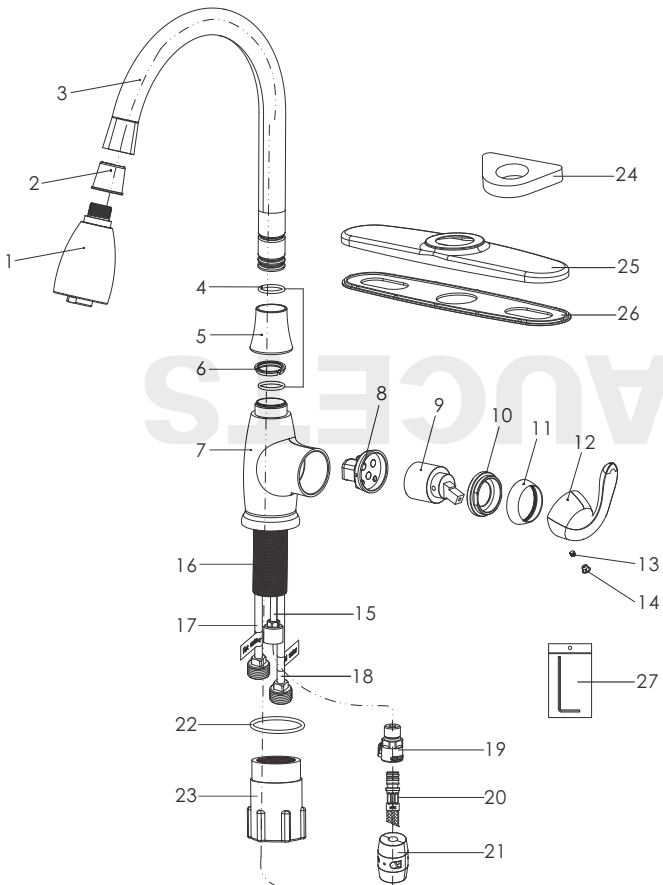
Important:

Important

Tighten connection with two wrench to prevent damage to tube body. Be careful not to bend the stem as this will void the product warranty.

4

Parts Diagram



5

Parts List

27	8BS25	Allen Key
26	7MB56226	Plastic Plate
25	5MBT8075	Face Plate
24	8DZSJ000	Triangle Base
23	5NM56105	Nut
22	8J50X25	O-ring
21	5QQ56105	Iron Ball With Plastic Surface
20	H56105	Pull-out Hose
19	Jt56226	Hose Quick Connect
18	8JG06243DQ	Copper Tube
17	8JG06233DQ	Copper Tube
16	81T56089	Threaded Sleeve
15	8JG06285DQ	Copper Tube
14	80N81060	Handle Button
13	8EM5X5	Screw
12	50P35UC2	Handle
11	8ZG35000	Trim Cap
10	5YG56105	Cartridge Locknut
9	J10350	Cartridge
8	52T56105	Inner Body
7	50T56105	Body
6	5SJ56105	Holding Ring
5	5XM56105	HoldingNut
4	8J24X25	O-ring
3	80G56105	Spout
2	55T56105	Shower Sleeve
1	F2535	Shower
No.	Part Number	Part Name