



## Warranty Information

JANDON faucet warrants the original purchase (must have prove of purchase) that such product is free from defect in materials or workmanship for as long as the original consumer purchaser owns their home from the date of purchase. This warranty is limited to but not including labor charges incurred and/or damages sustained during installation, repair or replacement, nor incidental or consequential damages. This warranty does not cover items which have received secondary finishing or have been altered or modified after purchase, or for defects caused by physical abuse to or misuse of the product. This warranty gives the original purchaser of a JANDON faucet specific legal rights which may vary from state to state or from province to province. In some states or provinces the exclusion or limitation of incidental or consequential damages is not allowed, so those exclusions may not apply to you.

Thank you for your purchase !

**JANDON® FAUCETS**  
Useful Everyday

Toll Free : 1 - 877 - 526 - 3668  
Website : [www.jandonfaucet.com](http://www.jandonfaucet.com)  
E - m a i l : [info@jandonfaucet.com](mailto:info@jandonfaucet.com)

**JANDON® FAUCETS**  
Useful Everyday

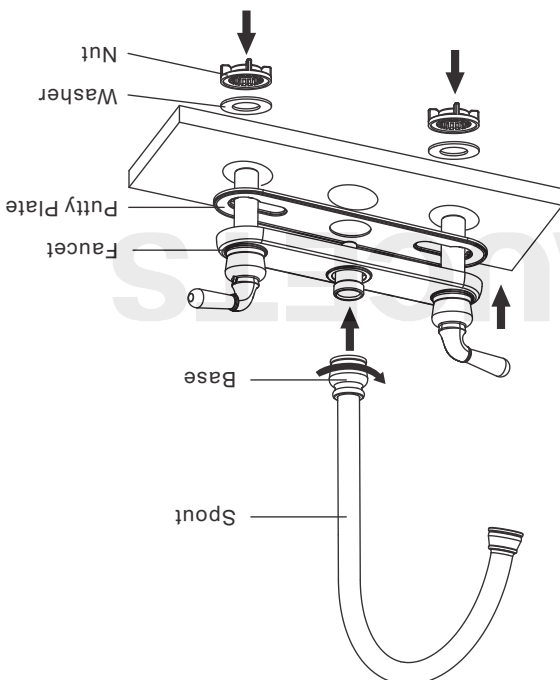
**Model : 5202 Series**

Chrome, Brushed Nickel PVD, Oil Rubbed Bronze

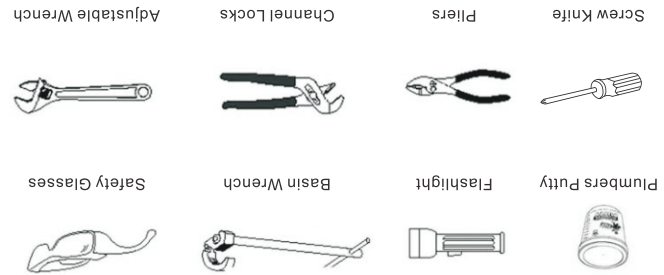


**Two Handle Kitchen Faucet**  
Fits 3 Hole Sink, 8" Center-set

1. Assemble spout to faucet, hand-tighten base. Position the faucet and "Putty Plate" on sink, inserting shanks in proper holes. Thread mounting nuts onto shanks and hand tighten faucet firmly to sink.



**Faucet Installation**



Gather the necessary tools as shown below to complete the installation of this faucet. Some may not be needed depending on the model of faucet you are installing. Check with your local hardware store on the requirements of your installation situation.

**Tools:**

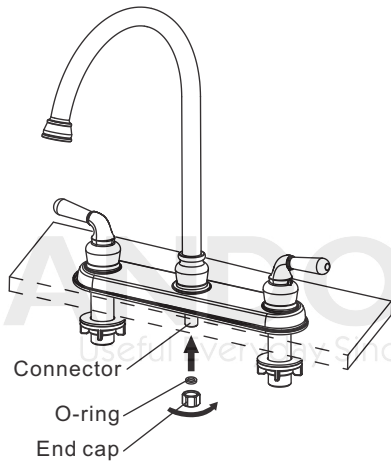
Helpful Tools

**Helpful Information**



2

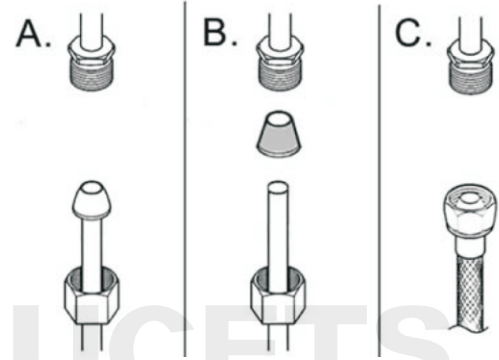
## Faucet Installation



1. Tighten end cap to connector, make sure O-ring position above the end cap.

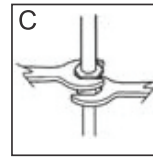
3

## Configuration



Connect to water supply lines with either:

- (A) 3/8" O.D. Copper tubing (ball nose risers with the coupling nuts or;
- (B) 3/8" Copper tubing (no ball) with supplied tube head interior connector or;
- (C) IPS faucet connectors (1/2" )



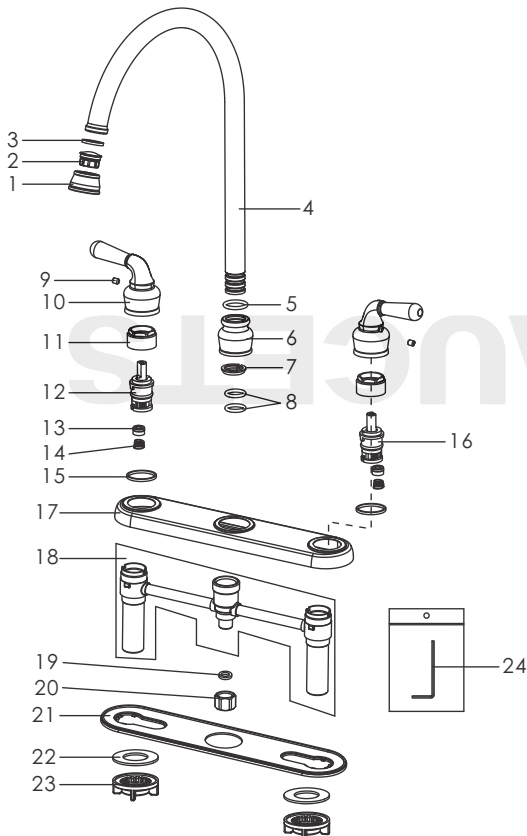
### Important:

Important

Tighten connection with two wrench to prevent damage to tube body. Be careful not to bend the stem as this will void the product warranty.

4

## Parts Diagram



5

## Parts List

24	8BS25	Allen Key
23	8NM1A200	Plastic Nut
22	8SJ1A200	White Washer
21	5PDT805S	Washer
20	5JT1A4D1NPSM	End Cap
19	8J123X76X22A	O-ring
18	5SN5B006NPDQ	Water Shank
17	5MBT8115	Face Plate
16	K0002325Z	Cartridge(Cold Water)
15	8SJ285X255X17	Washer
14	5TH18036	Spring
13	5XJ18036	O-ring
12	K00023250	Cartridge(Hot Water)
11	8YG23000	Cartridge Locknut
10	P04MW5	Handle
9	8EM5X5	Screw
8	8J19X24A	O-ring
7	8SJ18001	Cut Rubber Ring
6	5Z5B001	Base
5	8J24X25	O-ring
4	50G5B002	Spout
3	8J208X14X23A	O-ring
2	82M24321NN00	Aerator Core
1	51M5B001	Aerator Collar
No.	Part Number	Part Name