



## Warranty Information

JANDON faucet warrants the original purchase (must have prove of purchase) that such product is free from defect in materials or workmanship for as long as the original consumer purchaser owns their home from the date of purchase. This warranty is limited to but not including labor charges incurred and/or damages sustained during installation, repair or replacement, nor incidental or consequential damages. This warranty does not cover items which have received secondary finishing or have been altered or modified after purchase, or for defects caused by physical abuse to or misuse of the product. This warranty gives the original purchaser of a JANDON faucet specific legal rights which may vary from state to state or from province to province. In some states or provinces the exclusion or limitation of incidental or consequential damages is not allowed, so those exclusions may not apply to you.

Thank you for your purchase !

**JANDON® FAUCETS**  
Useful Everyday

Toll Free : 1 - 877 - 526 - 3668  
Website : [www.jandonfaucet.com](http://www.jandonfaucet.com)  
E - m a i l : [info@jandonfaucet.com](mailto:info@jandonfaucet.com)

**JANDON® FAUCETS**  
Useful Everyday

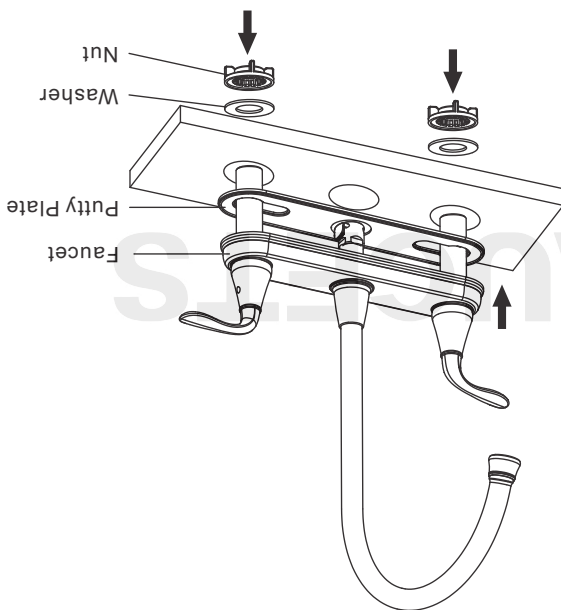
### Model : 5252-WS Series

Chrome, Brushed Nickel PVD, Oil Rubbed Bronze

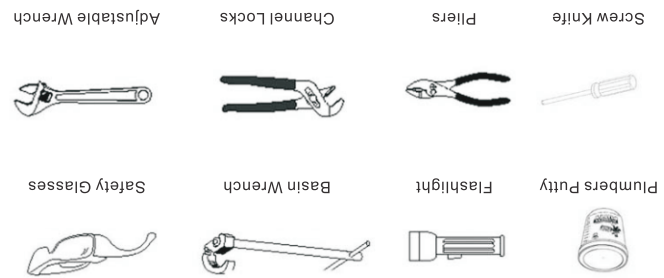


**Two Handle HI ARC Kitchen Faucet With Side Spray**  
Fits 4 Hole Sink, 8" Center-set

1. Position the faucet and "Putty Plate" on sink, inserting shanks in proper holes. Thread mounting nuts onto shanks and hand tighten faucet firmly to sink.



**Faucet Installation**



**Tools:** Gather the necessary tools as shown below to complete the installation of this faucet. Some may not be needed depending on the model of faucet you are installing. Check with your local hardware store on the requirements of your installation situation.

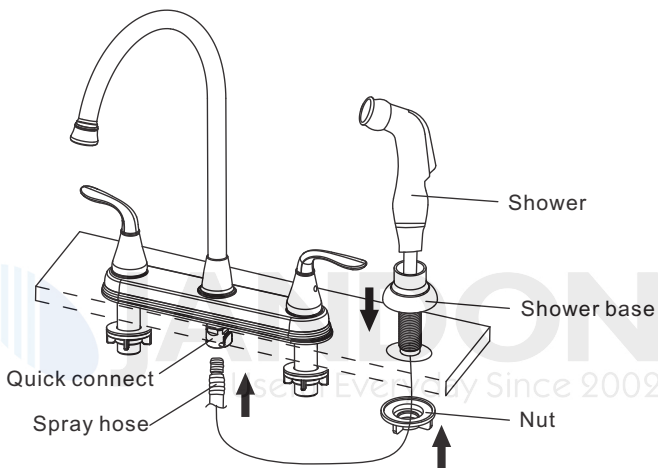
Helpful Tools

**Helpful Information**



2

## Shower Installation



### Spray Hose Installation

**A.** Insert spray hose assembly to far right hole on sink (counter top) . Hand tighten with nut from underneath.

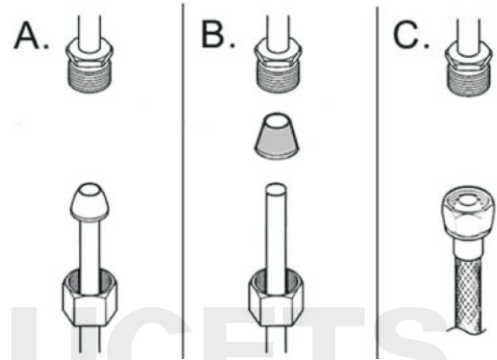
**B.** Insert spray hose down hose assembly.

**C.** Assemble "Spray Hose" to "Quick Connect".

**CAUTION:** Make sure hose is properly engaged and secure in faucet hose quick connect.

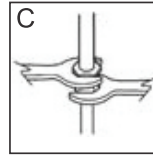
3

## Configuration



Connect to water supply lines with either:

- (A) 3/8" O.D. Copper tubing (ball nose risers with the coupling nuts or;
- (B) 3/8" Copper tubing (no ball) with supplied tube head interior connector or;
- (C) IPS faucet connectors (1/2" )



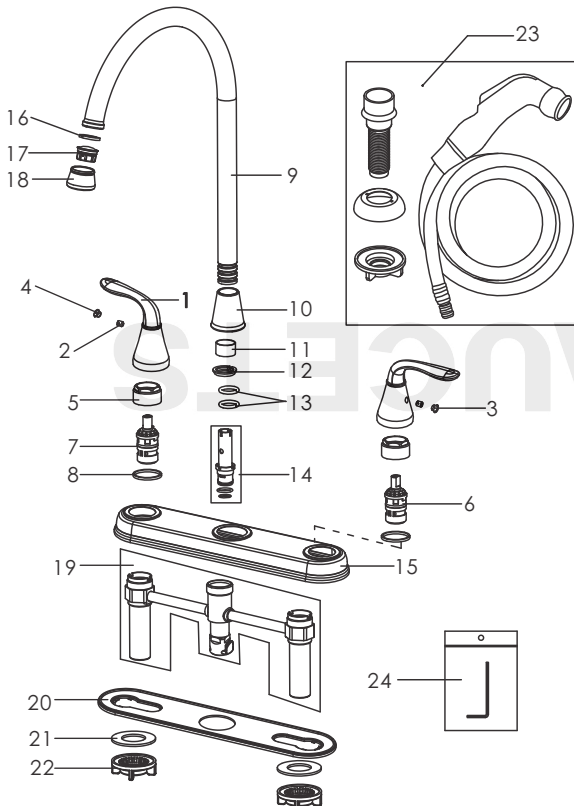
### Important:

Important

Tighten connection with two wrench to prevent damage to tube body. Be careful not to bend the stem as this will void the product warranty.

4

## Parts Diagram



5

## Parts List

24	8BS25	Allen Key
23	F1510A	Shower
22	8NM1A200	Plastic Nut
21	8SJ1A200	White Washer
20	5PDT805S	Washer
19	5SN5B001NPDQ	Water Shank
18	51M5B002	Aerator Collar
17	82M24321INN00	Aerator Core
16	8J208X14X23A	Washer
15	5MBT805S	Face Plate
14	J5BU78	Diverter
13	8J19X24A	O-ring
12	8SJ18001	Holding Ring
11	5HT5B004	Pretend Sleeve
10	5ZZ5B003	Base
9	50G5B002	Spout
8	8SJ285X255X22	Plastic Washer
7	K00023260	Cartridge(Hot water)
6	K0002326Z	Cartridge(Cold water)
5	8YG23000	Cartridge Locknut
4	81N85050A	Index(red)
3	81N85050B	Index(blue)
2	8EM5X5	Screw
1	50P00MW12	Handle
No.	Part Number	Part Name