



Warranty Information

JANDON faucet warrants the original purchase (must have prove of purchase) that such product is free from defect in materials or workmanship for as long as the original consumer purchaser owns their home from the date of purchase. This warranty is limited to but not including labor charges incurred and/or damages sustained during installation, repair or replacement, nor incidental or consequential damages. This warranty does not cover items which have received secondary finishing or have been altered or modified after purchase, or for defects caused by physical abuse to or misuse of the product. This warranty gives the original purchaser of a JANDON faucet specific legal rights which may vary from state to state or from province to province. In some states or provinces the exclusion or limitation of incidental or consequential damages is not allowed, so those exclusions may not apply to you.

Thank you for your purchase !



Toll Free : 1 - 877 - 526 - 3668
 Website : www.jandonfaucet.com
 E - m a i l : info@jandonfaucet.com

JANDON® FAUCETS

Useful Everyday

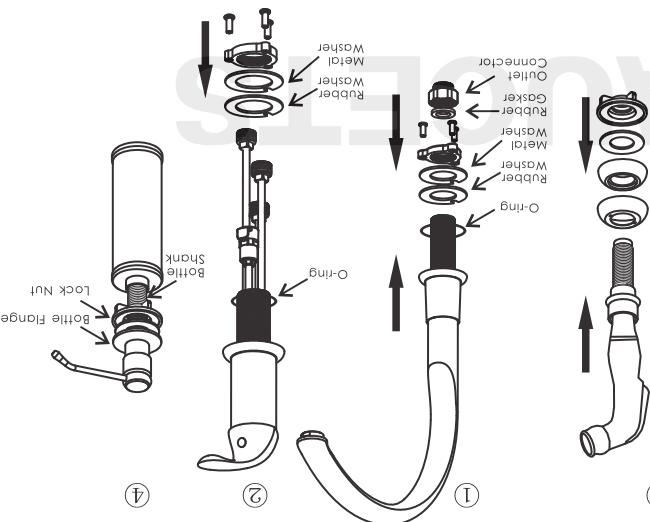
Model : 6956WS Series

Chrome, Brushed Nickel PVD, Oil Rubbed Bronze

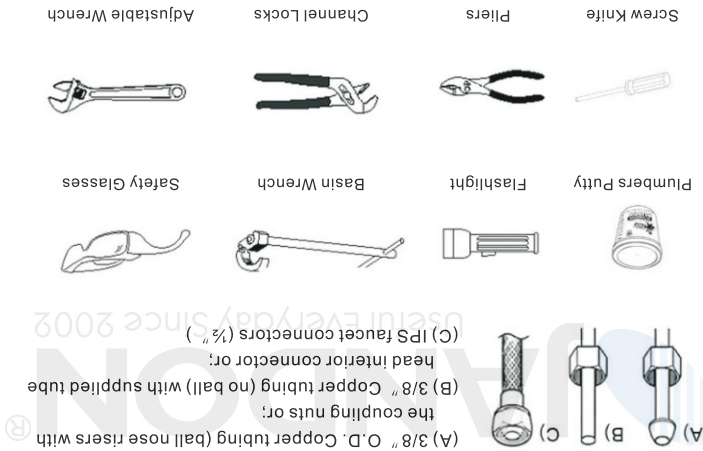


Single Handle Kitchen Faucet With Side Sprayer Soap Dispenser
 4 Hole Installation

1. Spout Installation ①
 - A. Position spout on deck, from underside of deck, assemble "rubber & metal washer", tighten with mount nut and nut screws.
 - B. Assemble outlet connector with flat rubber gasket.
2. Faucet Body Installation ②
 - A. Insert faucet body into selected hole, sample "rubber & metal washer" then tighten with mount nut and screws.
 - B. Insert spray hose assembly to far left hole on sink (counter top) . Hand tighten with nut from underneath.
 - C. Assemble "Spray Hose" to "Hose Quick Connect".
3. Spray Hose Installation ③
 - A. Insert spray hose assembly to far left hole on sink (counter top) . Hand tighten with nut from underneath.
 - B. Insert spray hose down hose assembly.
 - C. Make sure hose is properly engaged and secure in faucet hose quick connect.
4. Soap Dispenser Installation ④
 - A. Underside the deck, insert bottle shank through far right hole on deck, assemble bottle flange and tighten with lock nut.



INSTALLATION INSTRUCTIONS



Gather the necessary tools as shown below to complete the installation of this faucet. Some may not be needed depending on the model of faucet you are installing. Check with your local hardware store on the requirements of your installation situation.

Tools:

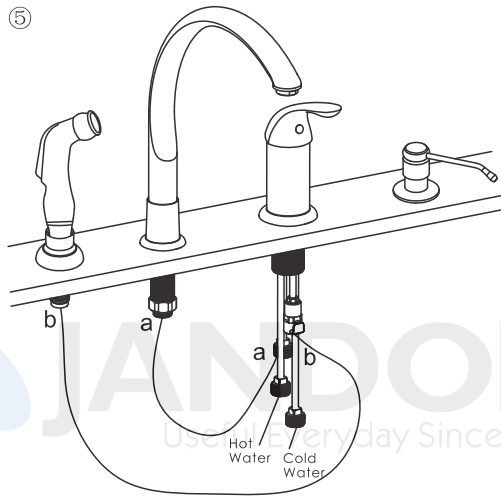
Helpful Tools

Helpful Information



2

Hose Installation



a  15³/₄" (400 mm)

b  49³/₁₆" (1250 mm)

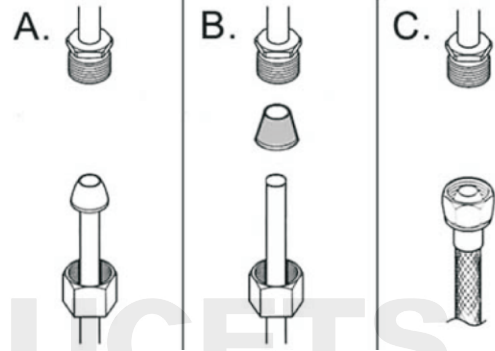
1. Hose Installation ⑤

A. Connect stainless steel braided hose according to ⑤ with tools.

★ Run water through faucet while checking for leaks at all connections.

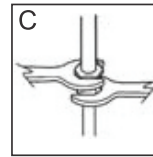
3

Configuration



Connect to water supply lines with either:

- (A) 3/8" O.D. Copper tubing (ball nose risers with the coupling nuts or;
- (B) 3/8" Copper tubing (no ball) with supplied tube head interior connector or;
- (C) IPS faucet connectors (1/2")



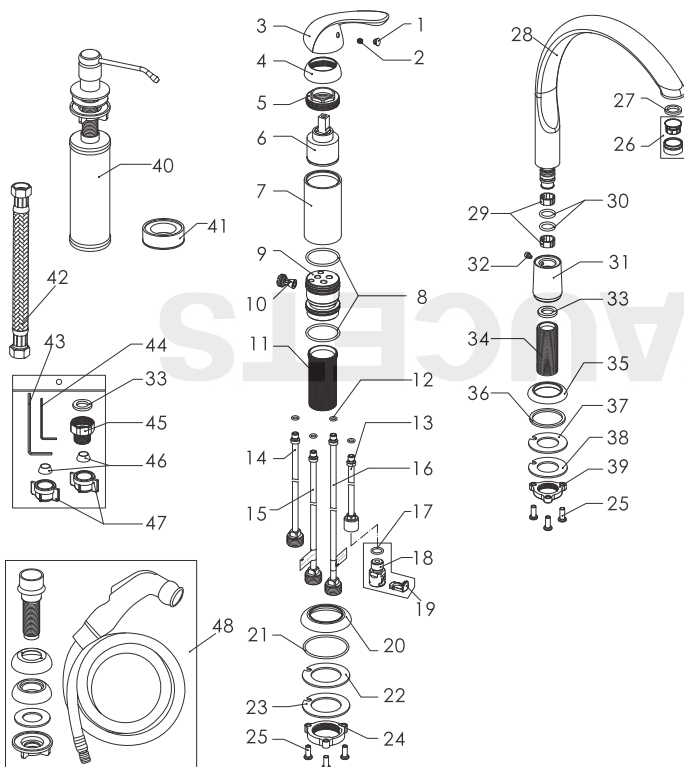
Important:

Important

Tighten connection with two wrench to prevent damage to tube body. Be careful not to bend the stem as this will void the product warranty.

4

Parts Diagram



5

Parts List

48	F1510	Shower
47	8MN15226	Plastic Nut
46	8XJ15226	Waterproof Ring
45	8JT36A12	Connector
44	8BS25	2.5mm Hex Key
43	8BS30	3mm Allen Key
42	G0240500	G1/2 Hose
41	8ZW00001	Raw Material Belt
40	D20073	Soap Dispenser
39	8NM94015	Nut
38	80N94015	Metal Washer
37	81N94015	Rubber Washer
36	8J45X38X25	O-Ring
35	8DZ9600	Base
34	82G0Y961	Screw Coop
33	8J24X15X3A	Plastic Ring
32	8PM4X5	Hex Head Screw
31	81G0Y961	Coop
30	8JG0Y961	O-Ring
29	89G02011	Assembly
28	80G0Y961	Spout Tube
27	8J213X158X3A	Plastic Ring
26	M24221	Assembly
25	8RM6X15	Screw
24	82N56080	Set Screw
23	80N56080	Metal Washer
22	81N56080	Rubber Washer
21	8J58X24	O-Ring
20	8DZ55226	Base
19	8SJ56226	Assembly
18	8JT56226	Connector
17	8J16X2A	O-Ring
16	8JG0263	Hose
15	8JG0223	Hose
14	8JG0183	Hose
13	8JGJ0130	Hose
12	8J96X18A	O-Ring
11	84T56080	Screw
10	J55226	Divterter
9	80T55226	5226 Core
8	8J433X265A	O-Ring
7	81T255226G	Decorative Cap
6	J10400	Ceramic Cartridge
5	8YG40000	Bonnet
4	8ZG40000	Cap With Adjusting Ring
3	80P4WC2	Handle
2	8CM5X7	Handle Screw
1	80N81010JD	Cap
No.	Part Number	Part Name